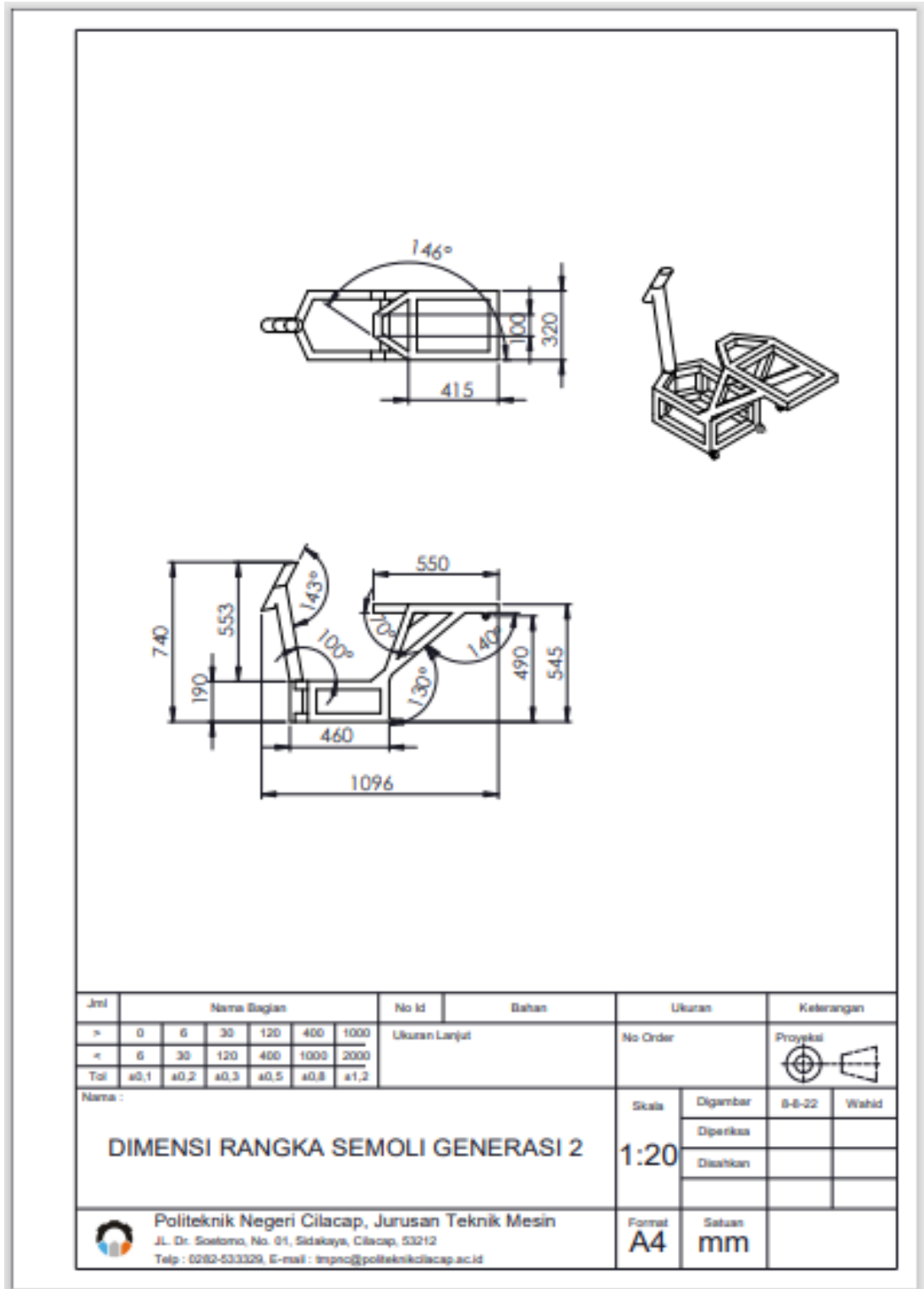


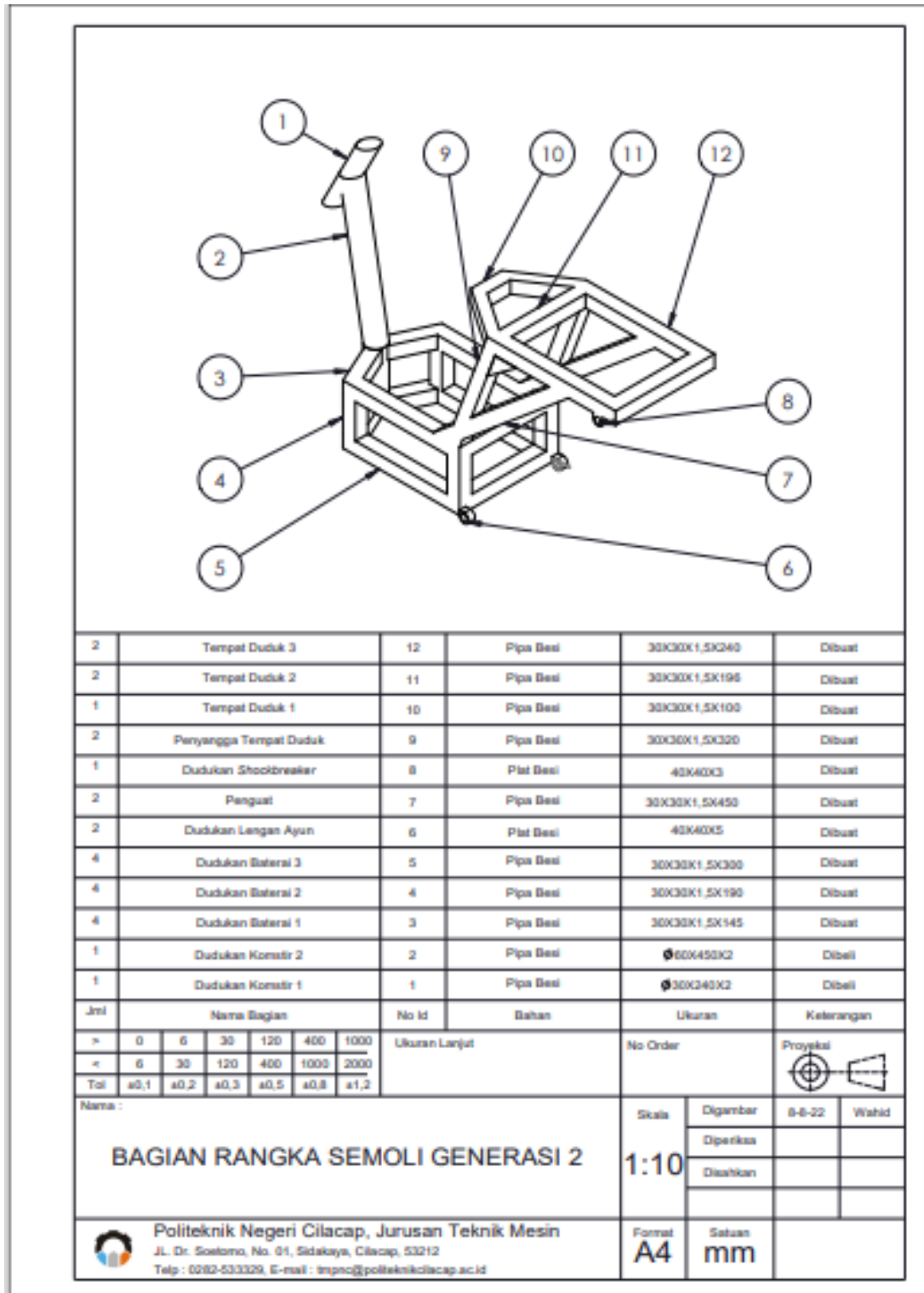
# LAMPIRAN 1

## Gambar Kerja

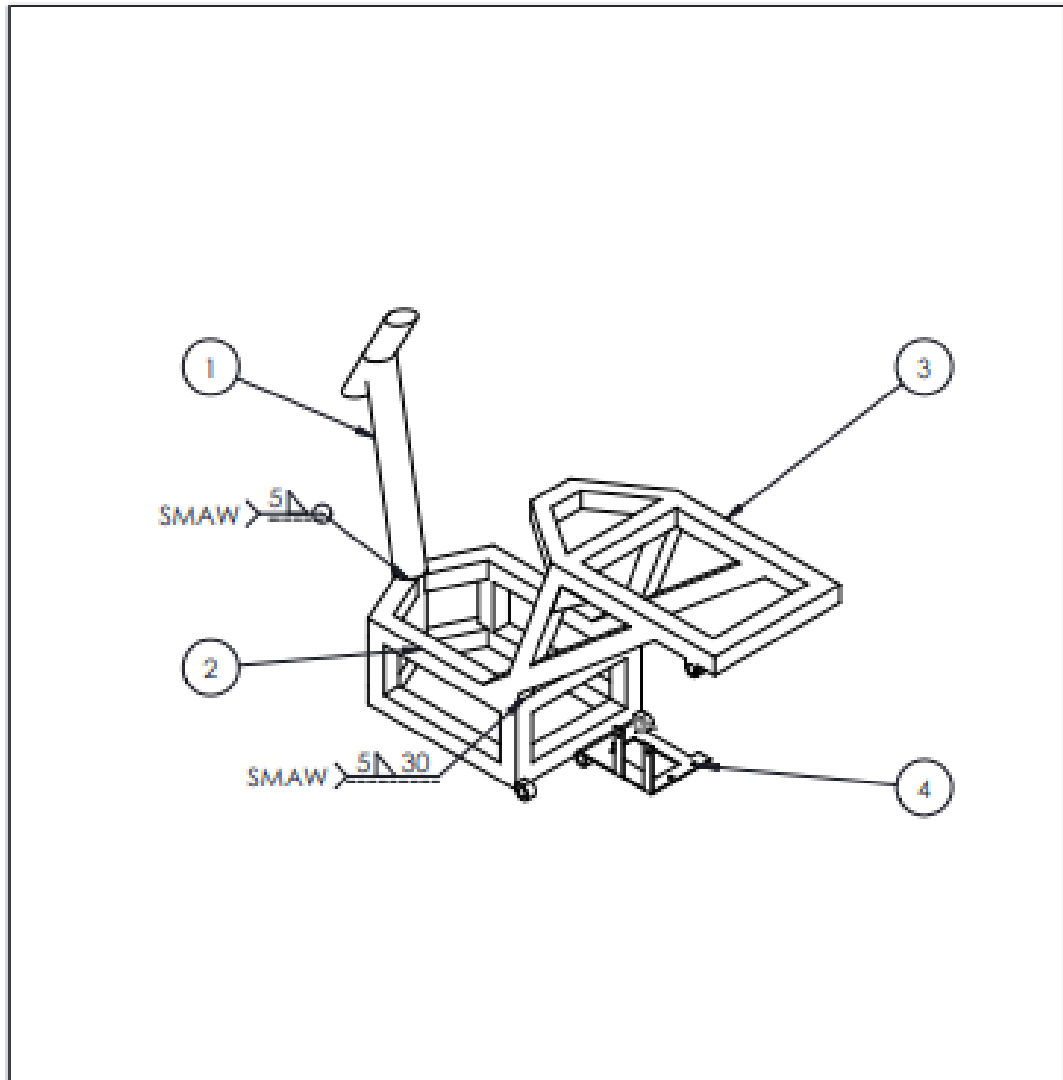
1. Gambar rangka beserta ukurannya



## 2. Bagian rangka



3. *Assembly* rangka



|   |             |      |      |      |      |       |               |                     |  |        |       |
|---|-------------|------|------|------|------|-------|---------------|---------------------|--|--------|-------|
| 1   | Asy 4       |      |      |      |      | 4     | Pipa Besi     | Lihat Detail        | Dibuat   |        |       |
| 1   | Asy 3       |      |      |      |      | 3     | Pipa Besi     | Lihat Detail        | Dibuat   |        |       |
| 1   | Asy 2       |      |      |      |      | 2     | Pipa Besi     | Lihat Detail        | Dibuat   |        |       |
| 1   | Asy 1       |      |      |      |      | 1     | Pipa Besi     | Lihat Detail        | Dibeli   |        |       |
| Jml   | Nama Bagian |      |      |      |      | No Id | Bahan         | Ukuran              | Keterangan   |        |       |
| »   | 0           | 6    | 30   | 120  | 400  | 1000  | Ukuran Lanjut | No Order            | Proyektil<br> |        |       |
| «   | 6           | 30   | 120  | 400  | 1000 | 2000  |               |                     |  |        |       |
| Tol   | ±0,1        | ±0,2 | ±0,3 | ±0,5 | ±0,8 | ±1,2  |               |                     |  |        |       |
| Nama :  |             |      |      |      |      |       |               | Skala               | Digambar   | 8-8-22 | Wahid |
| <h1>ASSEMBLY RANGKA</h1>  |             |      |      |      |      |       |               | 1:10                | Diperiksa  |        |       |
|   |             |      |      |      |      |       |               |                     | Disekikan  |        |       |
|   |             |      |      |      |      |       |               |                     |  |        |       |
|  <b>Politeknik Negeri Cilacap, Jurusan Teknik Mesin</b><br>Jl. Dr. Soetomo, No. 01, Sidakaya, Cilacap, 53212<br>Telp : 0282-533329, E-mail : tnpnc@politeknikcilacap.ac.id |             |      |      |      |      |       |               | Format<br><b>A4</b> | Satuan<br><b>mm</b>  |        |       |

4. Assy 2

|   |                               |               |                   |              |            |
|---|-------------------------------|---------------|-------------------|--------------|------------|
| 2   | Assy 2 Part 5                 | 5             | Plat Besi         | Lihat Detail | Dibuat     |
| 4   | Assy 2 Part 4                 | 4             | Pipa Besi Persegi | Lihat Detail | Dibuat     |
| 2   | Assy 2 Part 3                 | 3             | Pipa Besi Persegi | Lihat Detail | Dibuat     |
| 4   | Assy 2 Part 2                 | 2             | Pipa Besi Persegi | Lihat Detail | Dibuat     |
| 4   | Assy 2 Part 1                 | 1             | Pipa Besi Persegi | Lihat Detail | Dibuat     |
| Jml   | Nama Bagian                   | No Id         | Bahan             | Ukuran       | Keterangan |
| >   | 0 6 30 120 400 1000           | Ukuran Lanjut |                   | No Order     | Proyeksi   |
| <   | 6 30 120 400 1000 2000        |               |                   |              |            |
| Tol   | ±0,1 ±0,2 ±0,3 ±0,5 ±0,8 ±1,2 |               |                   |              |            |
| Nama :  |                               |               |                   | Skala        | Digambar   |
| <h1>ASSY 2</h1>   |                               |               |                   | <h1>1:5</h1> | 8-8-22     |
|   |                               |               |                   |              | Wahid      |
|   |                               |               |                   |              |            |
| <b>Politeknik Negeri Cilacap, Jurusan Teknik Mesin</b><br>Jl. Dr. Soetomo, No. 01, Sidakaya, Cilacap, 53212<br>Telp : 0282-533329, E-mail : tnpnc@politeknikcilacap.ac.id |                               |               |                   | Format       | Satuan     |
|   |                               |               |                   | A4           | mm         |

5. Assy 2 part 1

| Jml   | Nama Bagian |      |      |      |      |      | No Id         | Bahan   | Ukuran  | Keterangan         |       |
|---|-------------|------|------|------|------|------|---------------|---|---|--------------------|-------|
| >   | 0           | 6    | 30   | 120  | 400  | 1000 | Ukuran Lanjut | No Order  | <br>Proyekt                                       |                    |       |
| <   | 6           | 30   | 120  | 400  | 1000 | 2000 |               |   |   |                    |       |
| Tol   | ±0,1        | ±0,2 | ±0,3 | ±0,5 | ±0,8 | ±1,2 |               |   |   |                    |       |
| Nama :<br><br><h2 style="text-align: center;">ASSY 2 PART 1</h2>  |             |      |      |      |      |      |               | Skala<br><h3 style="text-align: center;">1:1</h3> | Digambar<br>Diperiksa<br>Disahkan                 | 8-8-22<br><br><br> | Wahid |
| Politeknik Negeri Cilacap, Jurusan Teknik Mesin<br>Jl. Dr. Soetomo, No. 01, Sidakaya, Cilacap, 53212<br>Telp : 0282-533329, E-mail : <a href="mailto:mpnc@politeknikcilacap.ac.id">mpnc@politeknikcilacap.ac.id</a> |             |      |      |      |      |      |               | Format<br><h3 style="text-align: center;">A4</h3> | Satuan<br><h3 style="text-align: center;">mm</h3> |                    |       |

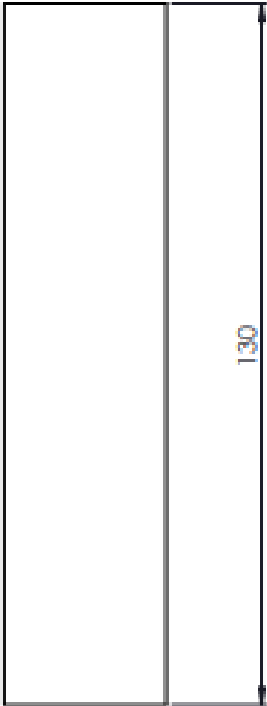
6. Assy 2 part 2


| Jml  | Nama Bagian |      |      |      |      |      | No Id         | Bahan               | Ukuran              | Keterangan          |       |
|--|-------------|------|------|------|------|------|---------------|---------------------|---------------------|---------------------|-------|
| >  | 0           | 5    | 30   | 120  | 400  | 1000 | Ukuran Lanjut | No Order            | Proyeksi            |                     |       |
| =  | 5           | 30   | 120  | 400  | 1000 | 2000 |               |                     | Digambar            | 6-8-22              | Wahid |
| Tol  | ±0,1        | ±0,2 | ±0,3 | ±0,5 | ±0,8 | ±1,2 |               |                     | Diperiksa           |                     |       |
| Nama :   |             |      |      |      |      |      |               | Scale<br><b>1:1</b> | Diajukan            |                     |       |
| <b>ASSY 2 PART 2</b>   |             |      |      |      |      |      |               |                     |                     |                     |       |
|  |             |      |      |      |      |      |               |                     | Format<br><b>A4</b> | Satuan<br><b>mm</b> |       |
| <b>Politeknik Negeri Cilacap, Jurusan Teknik Mesin</b><br>Jl. Dr. Soetomo, No. 01, Sidakaya, Cilacap, 53212<br>Telp : 0282-533329, E-mail : <a href="mailto:info@politeknikcilacap.ac.id">info@politeknikcilacap.ac.id</a> |             |      |      |      |      |      |               |                     |                     |                     |       |



7. Assy 2 part 3

| Jml   | Nama Bagian |      |      |      |      |      | No Id         | Bahan   | Ukuran  | Keterangan         |       |
|---|-------------|------|------|------|------|------|---------------|---|---|--------------------|-------|
| =   | 0           | 5    | 30   | 120  | 400  | 1000 | Ukuran Lanjut | No Order  | <br>Proyeksi                                      |                    |       |
| -   | 5           | 30   | 120  | 400  | 1000 | 2000 |               |   |   |                    |       |
| Tol   | a0,1        | a0,2 | a0,3 | a0,5 | a0,8 | a1,2 |               |   |   |                    |       |
| Nama :<br><br><h2 style="text-align: center;">ASSY 2 PART 3</h2>  |             |      |      |      |      |      |               | Skala<br><br><h3 style="text-align: center;">1:1</h3> | Digambar<br>Diperiksa<br>Disahkan                 | B-8-22<br><br><br> | Wahid |
| Politeknik Negeri Cilacap, Jurusan Teknik Mesin<br>Jl. Dr. Soetomo, No. 01, Sidakaya, Cilacap, 53212<br>Telp : 0282-523329, E-mail : <a href="mailto:mpnc@politeknikcilacap.ac.id">mpnc@politeknikcilacap.ac.id</a> |             |      |      |      |      |      |               | Format<br><h3 style="text-align: center;">A4</h3>     | Satuan<br><h3 style="text-align: center;">mm</h3> |                    |       |

8. Assy 2 part 4





| Jml   | Nama Bagian |      |      |      |      |      | No Id         | Bahan               | Ukuran  | Keterangan       |
|---|-------------|------|------|------|------|------|---------------|---------------------|---|------------------|
| >   | 0           | 6    | 30   | 120  | 400  | 1000 | Ukuran Lanjut | No Order            | Proyek<br> |                  |
| =   | 6           | 30   | 120  | 400  | 1000 | 2000 |               |                     |   |                  |
| Tol   | ±0,1        | ±0,2 | ±0,3 | ±0,5 | ±0,8 | ±1,2 |               |                     |   |                  |
| <b>ASSY 2 PART 4</b>  |             |      |      |      |      |      |               | Skala<br><b>1:1</b> | Digambar<br>Diperiksa<br>Disahkan   | B-B-22<br>Waahid |
|  <b>Politeknik Negeri Cilacap, Jurusan Teknik Mesin</b><br>Jl. Dr. Soetomo, No. 01, Sidakaya, Cilacap, 53212<br>Telp : 0282-533329, E-mail : tmpro@politeknikcilacap.ac.id |             |      |      |      |      |      |               | Format<br><b>A4</b> | Satuan<br><b>mm</b>   |                  |



9. Assy 2 part 5

| Jml  | Nama Bagian |      |      |      |      |      | No Id         | Bahan               | Ukuran              | Keterangan |       |
|--|-------------|------|------|------|------|------|---------------|---------------------|---------------------|------------|-------|
| >  | 0           | 6    | 30   | 120  | 400  | 1000 | Ukuran Lanjut | No Order            | <br>Proyeksi        |            |       |
| <  | 6           | 30   | 120  | 400  | 1000 | 2000 |               |                     |                     |            |       |
| Tol  | a0,1        | a0,2 | a0,3 | a0,5 | a0,8 | a1,2 |               |                     |                     |            |       |
| Nama :   |             |      |      |      |      |      |               | Skala               | Digambar            | 6-8-22     | Wahid |
| <h1>ASSY 2 PART 5</h1>   |             |      |      |      |      |      |               | 2:1                 | Diperiksa           |            |       |
|  |             |      |      |      |      |      |               |                     | Dibuat              |            |       |
|  |             |      |      |      |      |      |               |                     |                     |            |       |
| Politeknik Negeri Cilacap, Jurusan Teknik Mesin<br>Jl. Dr. Soetomo, No. 01, Sidareja, Cilacap, 53212<br>Telp : 0283-533329, E-mail : tmpro@politeknikcilacap.ac.id |             |      |      |      |      |      |               | Format<br><b>A4</b> | Satuan<br><b>mm</b> |            |       |

10. Assy 3

|  |                               |               |           |                  |                       |
|--|-------------------------------|---------------|-----------|------------------|-----------------------|
| 1  | Assy 3 Part 9                 | 9             | Pipa Besi | Lihat Detail     | Dibuat                |
| 2  | Assy 3 Part 8                 | 8             | Pipa Besi | Lihat Detail     | Dibuat                |
| 2  | Assy 3 Part 7                 | 7             | Pipa Besi | Lihat Detail     | Dibuat                |
| 1  | Assy 3 Part 6                 | 6             | Pipa Besi | Lihat Detail     | Dibuat                |
| 1  | Assy 3 Part 5                 | 5             | Pipa Besi | Lihat Detail     | Dibuat                |
| 2  | Assy 3 Part 4                 | 4             | Pipa Besi | Lihat Detail     | Dibuat                |
| 1  | Assy 3 Part 3                 | 3             | Pipa Besi | Lihat Detail     | Dibuat                |
| 2  | Assy 3 Part 2                 | 2             | Pipa Besi | Lihat Detail     | Dibuat                |
| 2  | Assy 3 Part 1                 | 1             | Pipa Besi | Lihat Detail     | Dibuat                |
| Jml  | Nama Bagian                   | No Id         | Bahan     | Ukuran           | Keterangan            |
| >  | 0 6 30 120 400 1000           | Ukuran Lanjut |           | No Order         | Proyeksi              |
| <  | 6 30 120 400 1000 2000        |               |           |                  |                       |
| Tol  | a0,1 a0,2 a0,3 a0,5 a0,8 a1,2 |               |           |                  |                       |
| Nama : <b>ASSY 3</b>   |                               |               |           | Skala            | Digambar 8-8-22 Wahid |
|  |                               |               |           | 1:5              | Diperiksa             |
|  |                               |               |           |                  | Disahkan              |
| Politeknik Negeri Cilacap, Jurusan Teknik Mesin<br>Jl. Dr. Soetomo, No. 01, Sidakaya, Cilacap, 53212<br>Telp : 0282-533329, E-mail : tngnc@politeknikcilacap.ac.id |                               |               |           | Format <b>A4</b> | Satuan mm             |

11. Assy 3 part 1

The drawing shows a mechanical part with a total height of 378. The top and bottom edges are chamfered at a 110-degree angle. A break symbol is shown in the middle of the part. Below the main view is a cross-sectional view showing a rectangular profile with a width of 30 and a height of 27.

| Jml   | Nama Bagian |      |      |      |      |      | No Id         | Bahan              | Ukuran   | Keterangan |
|---|-------------|------|------|------|------|------|---------------|--------------------|--|------------|
| >   | 0           | 6    | 30   | 120  | 400  | 1000 | Ukuran Lanjut | No Order           | <br>Proyektil                                  |            |
| <   | 6           | 30   | 120  | 400  | 1000 | 2000 |               |                    |  |            |
| Tol   | ±0,1        | ±0,2 | ±0,3 | ±0,5 | ±0,8 | ±1,2 |               |                    |  |            |
| Nama : <b>ASSY 3 PART 1</b>   |             |      |      |      |      |      |               | Skala : <b>1:1</b> | Digambar : B-8-22<br>Diperiksa :<br>Disahkan : | Wahid :    |
| Politeknik Negeri Cilacap, Jurusan Teknik Mesin<br>Jl. Dr. Soetomo, No. 01, Sidakaya, Cilacap, 53212<br>Telp : 0282-533329, E-mail : <a href="mailto:tmpro@politeknikcilacap.ac.id">tmpro@politeknikcilacap.ac.id</a> |             |      |      |      |      |      |               | Format : <b>A4</b> | Satuan : <b>mm</b>                             |            |

12. Assy 3 part 2

| Jml  | Nama Bagian |      |      |      |      |      | No Id         | Bahan    | Ukuran    | Keterangan |       |
|--|-------------|------|------|------|------|------|---------------|----------|-----------|------------|-------|
| >  | 0           | 6    | 30   | 120  | 400  | 1000 | Ukuran Lanjut | No Order | Proyeksi  |            |       |
| <  | 6           | 30   | 120  | 400  | 1000 | 2000 |               |          |           |            |       |
| Tol  | ±0,1        | ±0,2 | ±0,3 | ±0,5 | ±0,8 | ±1,2 |               |          |           |            |       |
| Nama :   |             |      |      |      |      |      |               | Skala    | Digambar  | 8-8-22     | Wahid |
| <b>ASSY 3 PART 2</b>   |             |      |      |      |      |      |               | 1:1      | Diperiksa |            |       |
|  |             |      |      |      |      |      |               |          | Disahkan  |            |       |
|  |             |      |      |      |      |      |               |          |           |            |       |
| Politeknik Negeri Cilacap, Jurusan Teknik Mesin<br>Jl. Dr. Soetomo, No. 01, Sidakaya, Cilacap, 53212<br>Telp : 0282-533329, E-mail : tmgno@politeknikcilacap.ac.id |             |      |      |      |      |      |               | Format   | Satuan    |            |       |
|  |             |      |      |      |      |      |               | A4       | mm        |            |       |

13. Assy 3 part 3

| Jml  | Nama Bagian |      |      |      |      |      | No Id         | Bahan   | Ukuran   | Keterangan   |
|--|-------------|------|------|------|------|------|---------------|---|--|--|
| >  | 0           | 5    | 30   | 120  | 400  | 1000 | Ukuran Lanjut | No Order  |  |  |
| =  | 5           | 30   | 120  | 400  | 1000 | 2000 |               |   |  |  |
| Tol  | ±0,1        | ±0,2 | ±0,3 | ±0,5 | ±0,8 | ±1,2 |               |   |  |  |
| <p style="font-size: 24px; margin: 0;">ASSY 3 PART 3</p>   |             |      |      |      |      |      |               | <p style="font-size: 18px; margin: 0;">Skala</p> <p style="font-size: 24px; margin: 0;">1:1</p> | <p style="font-size: 12px; margin: 0;">Digambar</p> <p style="font-size: 12px; margin: 0;">Diperiksa</p> <p style="font-size: 12px; margin: 0;">Disahkan</p> | <p style="font-size: 12px; margin: 0;">8-8-22</p> <p style="font-size: 12px; margin: 0;">Wahid</p> |
| <p style="font-size: 12px; margin: 0;">Politeknik Negeri Cilacap, Jurusan Teknik Mesin<br/>                     Jl. Dr. Soetomo, No. 01, Sidakaya, Cilacap, 53212<br/>                     Telp : 0282-533329, E-mail : info@politeknikcilacap.ac.id</p> |             |      |      |      |      |      |               | <p style="font-size: 18px; margin: 0;">Format</p> <p style="font-size: 24px; margin: 0;">A4</p> | <p style="font-size: 12px; margin: 0;">Satuan</p> <p style="font-size: 18px; margin: 0;">mm</p>  |  |

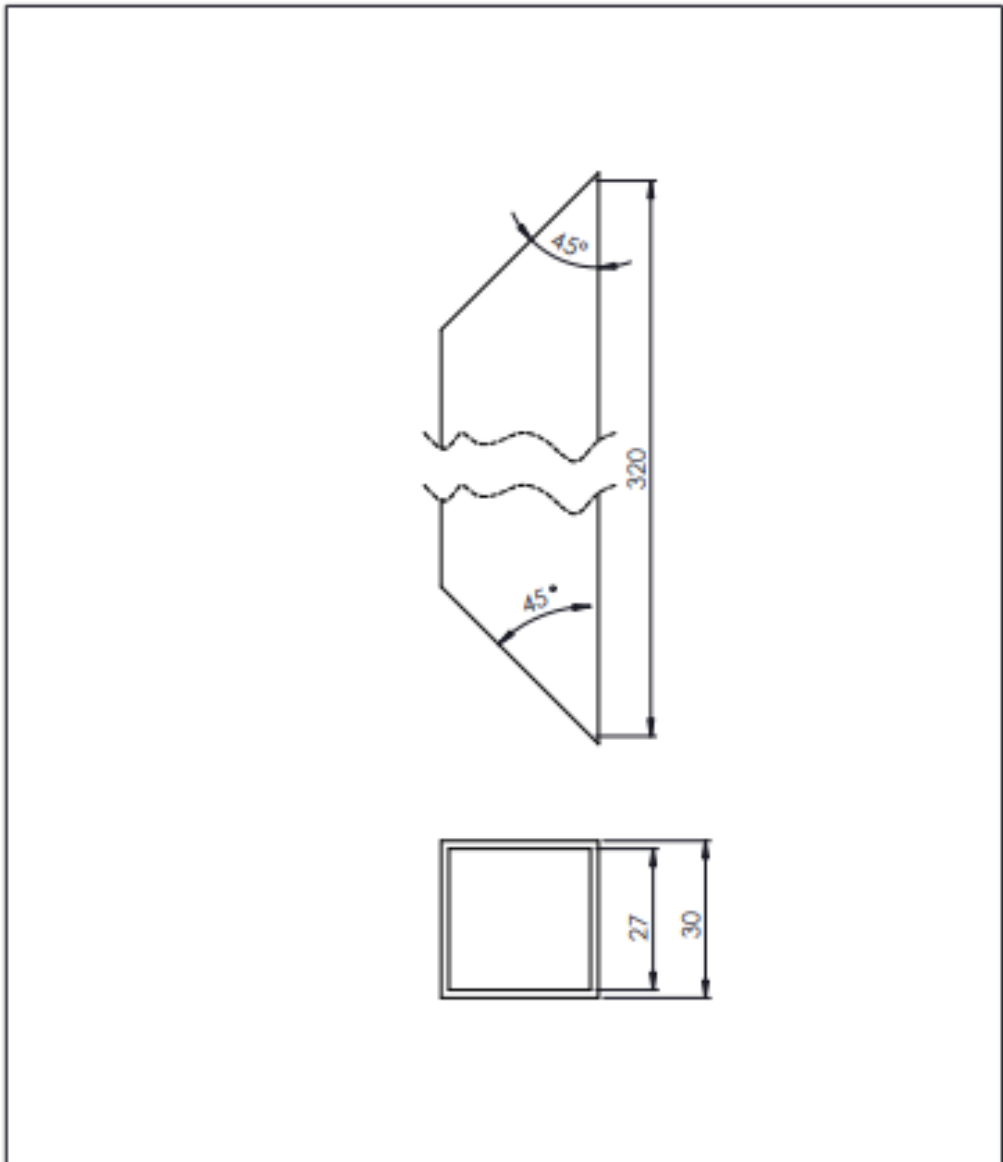
14. Assy 3 part 4

| Jml   | Nama Bagian |      |      |      |      |      | No Id         | Bahan               | Ukuran                            | Keterangan         |                   |
|---|-------------|------|------|------|------|------|---------------|---------------------|-----------------------------------|--------------------|-------------------|
| Q   | 0           | 0    | 30   | 120  | 400  | 1000 | Ukuran Lanjut | No Order            | Proyektil                         |                    |                   |
| Q   | 0           | 30   | 120  | 400  | 1000 | 2000 |               |                     |                                   |                    |                   |
| Tol   | ±0,1        | ±0,2 | ±0,3 | ±0,5 | ±0,8 | ±1,2 |               |                     |                                   |                    |                   |
| <b>ASSY 3 PART 4</b>  |             |      |      |      |      |      |               | Skala<br><b>1:1</b> | Digambar<br>Diperiksa<br>Disahkan | B-8-22<br><br><br> | Wisid<br><br><br> |
| <b>Politeknik Negeri Cilacap, Jurusan Teknik Mesin</b><br>J.L. Dr. Soelomo, No. 01, Sidakarya, Cilacap, 53212<br>Telp : 0282-533329, E-mail : tmpro@politeknikcilacap.ac.id |             |      |      |      |      |      |               | Format<br><b>A4</b> | Satuan<br><b>mm</b>               |                    |                   |



15. Assy 3 part 5

| Jml   | Nama Bagian |      |      |      |      |      | No Id         | Bahan   | Ukuran  | Keterangan      |
|---|-------------|------|------|------|------|------|---------------|---|---|-----------------|
| >   | 0           | 6    | 30   | 120  | 400  | 1000 | Ukuran Lanjut | No Order  | Proyektil<br>                                     |                 |
| <   | 6           | 30   | 120  | 400  | 1000 | 2000 |               |   |   |                 |
| Tol   | ±0,1        | ±0,2 | ±0,3 | ±0,5 | ±0,8 | ±1,2 |               |   |   |                 |
| Nama :<br><h2 style="text-align: center;">ASSY 3 PART 5</h2>  |             |      |      |      |      |      |               | Skala<br><h3 style="text-align: center;">1:1</h3> | Digambar<br>Diperiksa<br>Disahkan                 | B-6-22<br>Wahid |
| Politeknik Negeri Cilacap, Jurusan Teknik Mesin<br>Jl. Dr. Soetomo, No. 01, Sidakaya, Cilacap, 53212<br>Telp : 0282-533329, E-mail : <a href="mailto:tmpro@politeknikcilacap.ac.id">tmpro@politeknikcilacap.ac.id</a> |             |      |      |      |      |      |               | Format<br><h3 style="text-align: center;">A4</h3> | Satuan<br><h3 style="text-align: center;">mm</h3> |                 |

16. Assy 3 part 6

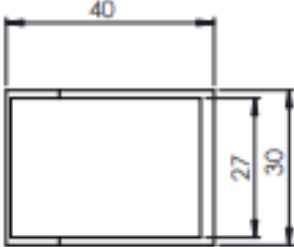


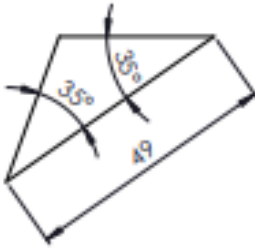
The drawing shows a mechanical part with a total height of 320. The top and bottom edges are chamfered at a 45-degree angle. A detail view below shows a rectangular section with a width of 27 and a height of 30.


| Jml   | Nama Bagian |      |      |      |      |      | No Id         | Bahan    | Ukuran  | Keterangan |       |
|---|-------------|------|------|------|------|------|---------------|----------|---|------------|-------|
| >   | 0           | 6    | 30   | 120  | 400  | 1000 | Ukuran Lanjut | No Order | Proyeksi<br> |            |       |
| <   | 6           | 30   | 120  | 400  | 1000 | 2000 |               |          |   |            |       |
| Tol   | a0,1        | a0,2 | a0,3 | a0,5 | a0,8 | a1,2 |               |          |   |            |       |
| Nama :  |             |      |      |      |      |      |               | Skala    | Digambar  | 8-8-22     | Wahid |
| <b>ASSY 3 PART 6</b>  |             |      |      |      |      |      |               | 1:1      | Diperiksa   |            |       |
|   |             |      |      |      |      |      |               |          | Ditahkikan  |            |       |
|   |             |      |      |      |      |      |               |          |   |            |       |
|  Politeknik Negeri Cilacap, Jurusan Teknik Mesin<br>Jl. Dr. Soetomo, No. 01, Sidakaya, Cilacap, 53212<br>Telp : 0282-533329, E-mail : <a href="mailto:mpnc@politeknikcilacap.ac.id">mpnc@politeknikcilacap.ac.id</a> |             |      |      |      |      |      |               | Format   | Setuan  |            |       |
|   |             |      |      |      |      |      |               | A4       | mm  |            |       |





17. Assy 3 part 7







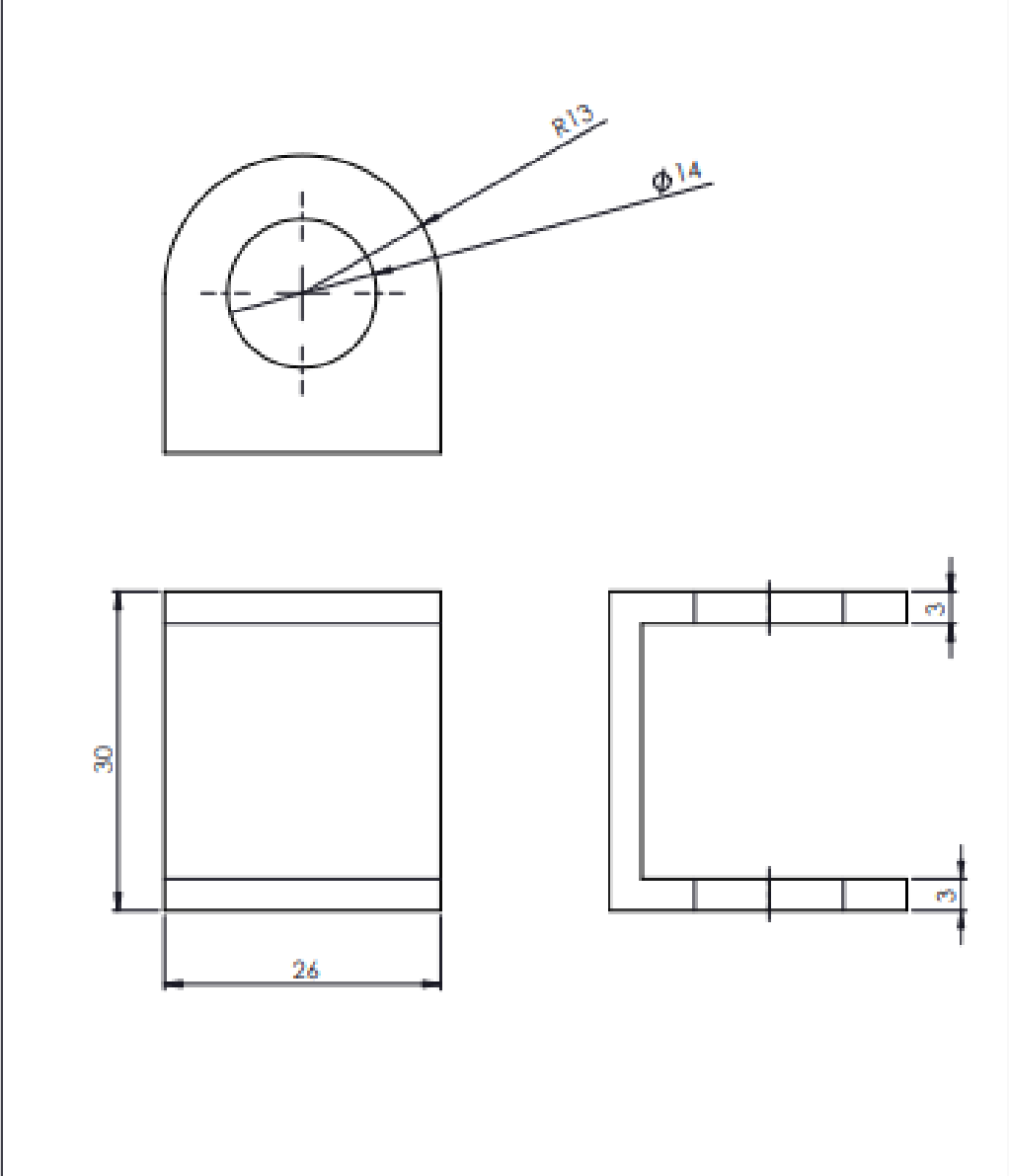
| Jml   | Nama Bagian |      |      |      |      |      | No Id         | Bahan               | Ukuran  | Keterangan      |
|---|-------------|------|------|------|------|------|---------------|---------------------|---|-----------------|
| >   | 0           | 6    | 30   | 120  | 400  | 1000 | Ukuran Lanjut | No Order            |  |                 |
| <   | 6           | 30   | 120  | 400  | 1000 | 2000 |               |                     |   |                 |
| Tol   | ±0,1        | ±0,2 | ±0,3 | ±0,5 | ±0,8 | ±1,2 |               |                     |   |                 |
| <p style="font-size: 24px; margin: 0;">ASSY 3 PART 7</p>  |             |      |      |      |      |      |               | Skala<br><b>1:1</b> | Digambar<br>Diperiksa<br>Disahkan   | 8-8-22<br>Wahid |
|  Politeknik Negeri Cilacap, Jurusan Teknik Mesin<br>Jl. Dr. Soetomo, No. 01, Sidakaya, Cilacap, 53212<br>Telp : 0282-533329, E-mail : <a href="mailto:imgnc@politeknikcilacap.ac.id">imgnc@politeknikcilacap.ac.id</a> |             |      |      |      |      |      |               | Format<br><b>A4</b> | Satuan<br><b>mm</b>   |                 |



18. `Assy 3 part 8

The drawing shows a mechanical part with a total length of 100. The top edge is angled at 43 degrees, and the bottom edge is angled at 27.15 degrees. A break symbol is shown in the middle of the part. The front view shows a rectangular shape with a width of 27 and a height of 30.

| Jml   | Nama Bagian |      |      |      |      |      | No Id         | Bahan    | Ukuran       | Keterangan |       |
|---|-------------|------|------|------|------|------|---------------|----------|--------------|------------|-------|
| >   | 0           | 6    | 30   | 120  | 400  | 1000 | Ukuran Lanjut | No Order | <br>Proyekal |            |       |
| <   | 6           | 30   | 120  | 400  | 1000 | 2000 |               |          |              |            |       |
| Tot   | a0,1        | a0,2 | a0,3 | a0,5 | a0,8 | a1,2 |               |          |              |            |       |
| Nama :  |             |      |      |      |      |      |               | Skala    | Digambar     | 8-8-22     | Wahid |
| <b>ASSY 3 PART 8</b>  |             |      |      |      |      |      |               | 1:1      | Diperiksa    |            |       |
|   |             |      |      |      |      |      |               |          | Diaahkan     |            |       |
|   |             |      |      |      |      |      |               |          |              |            |       |
| Politeknik Negeri Cilacap, Jurusan Teknik Mesin<br>J.L. Dr. Soelomo, No. 01, Sidakaya, Cilacap, 53212<br>Telp : 0282-533329, E-mail : tspsc@politeknikcilacap.ac.id |             |      |      |      |      |      |               | Format   | Satuan       |            |       |
|   |             |      |      |      |      |      |               | A4       | mm           |            |       |

19. Assy 3 part 9



| Jml   | Nama Bagian |      |      |      |      |      | No Id         | Bahan   | Ukuran   | Keterangan      |
|---|-------------|------|------|------|------|------|---------------|---|--|-----------------|
| n   | 0           | 5    | 30   | 120  | 400  | 1000 | Ukuran Lanjut | No Order  | Proyektil<br> |                 |
| n   | 5           | 30   | 120  | 400  | 1000 | 2000 |               |   |  |                 |
| Tol   | a0,1        | a0,2 | a0,3 | a0,5 | a0,8 | a1,2 |               |   |  |                 |
| Nama :<br><h2 style="text-align: center;">ASSY 3 PART 9</h2>  |             |      |      |      |      |      |               | Skala<br><h3 style="text-align: center;">2:1</h3> | Digambar<br>Diperiksa<br>Disahkan  | B-8-22<br>Wahid |
|  Politeknik Negeri Cilacap, Jurusan Teknik Mesin<br>Jl. Dr. Soetomo, No. 01, Sidakaya, Cilacap, 53212<br>Telp : 0282-533329, E-mail : <a href="mailto:impro@politeknikcilacap.ac.id">impro@politeknikcilacap.ac.id</a> |             |      |      |      |      |      |               | Format<br><h3 style="text-align: center;">A4</h3> | Satuan<br><h3 style="text-align: center;">mm</h3>  |                 |

20. Assy 4

|               |   |               |           |              |            |       |
|---------------|---|---------------|-----------|--------------|------------|-------|
| 2             | Assy 4 Part 3   | 3             | Plat Besi | Lihat Detail | Dibuat     |       |
| 1             | Assy 4 Part 2   | 2             | -         | Lihat Detail | Dibeli     |       |
| 1             | Assy 4 Part 1   | 1             | Plat Besi | Lihat Detail | Dibuat     |       |
| Jml           | Nama Bagian   | No Id         | Bahan     | Ukuran       | Keterangan |       |
| >             | 0 5 30 120 400 1000   | Ukuran Lanjut |           | No Order     | Proyeksi   |       |
| <             | 5 30 120 400 1000 2000  |               |           |              |            |       |
| Tol           | ±0,1 ±0,2 ±0,3 ±0,5 ±0,8 ±1,2   |               |           |              |            |       |
| Nama :        |   |               |           | Scale        | Digambar   |       |
| <b>ASSY 4</b> |   |               |           | 1:2          | 0-0-22     |       |
|               |   |               |           |              | Diperiksa  | Wahid |
|               |   |               |           |              | Disahkan   |       |
|               | Politeknik Negeri Cilacap, Jurusan Teknik Mesin<br>Jl. Dr. Soetomo, No. 01, Sidakaya, Cilacap, 53212<br>Telp : 0282-533329, E-mail : <a href="mailto:info@politeknikcilacap.ac.id">info@politeknikcilacap.ac.id</a> |               |           | Format       | Satuan     |       |
|               |   |               |           | A4           | mm         |       |

21. Assy 4 part 1

| Jml   | Nama Bagian |      |      |      |      |      | No Id         | Bahan               | Ukuran              | Keterangan |       |
|---|-------------|------|------|------|------|------|---------------|---------------------|---------------------|------------|-------|
| »   | 0           | 5    | 30   | 120  | 400  | 1000 | Ukuran Lanjut | No Order            | Proyeksi<br>        |            |       |
| «   | 5           | 30   | 120  | 400  | 1000 | 2000 |               |                     |                     |            |       |
| Tol   | ±0,1        | ±0,2 | ±0,3 | ±0,5 | ±0,8 | ±1,2 |               |                     |                     |            |       |
| Nama :  |             |      |      |      |      |      |               | Skala               | Digambar            | B-8-22     | Wahid |
| <b>ASSY 4 PART 1</b>  |             |      |      |      |      |      |               | 1:5                 | Diperiksa           |            |       |
|   |             |      |      |      |      |      |               |                     | Disahkan            |            |       |
|   |             |      |      |      |      |      |               |                     |                     |            |       |
| Politeknik Negeri Cilacap, Jurusan Teknik Mesin<br>Jl. Dr. Soetomo, No. 01, Sidakaya, Cilacap, 53212<br>Telp : 03182-533329, E-mail : tpsnc@politeknikcilacap.ac.id |             |      |      |      |      |      |               | Format<br><b>A4</b> | Satuan<br><b>mm</b> |            |       |

22. Assy 4 part 3

| Jml   | Nama Bagian |      |      |      |      |      | No Id         | Bahan    | Ukuran       | Keterangan |       |
|---|-------------|------|------|------|------|------|---------------|----------|--------------|------------|-------|
| >   | 0           | 6    | 30   | 120  | 400  | 1000 | Ukuran Lanjut | No Order | Proyeksi<br> |            |       |
| <   | 6           | 30   | 120  | 400  | 1000 | 2000 |               |          |              |            |       |
| Tol   | ±0,1        | ±0,2 | ±0,3 | ±0,5 | ±0,8 | ±1,2 |               |          |              |            |       |
| Nama :  |             |      |      |      |      |      |               | Skala    | Digambar     | 8-8-22     | Wahid |
| <b>ASSY 4 PART 3</b>  |             |      |      |      |      |      |               | 1:5      | Diperiksa    |            |       |
|   |             |      |      |      |      |      |               |          | Disahkan     |            |       |
|   |             |      |      |      |      |      |               |          |              |            |       |
| <b>Politeknik Negeri Cilacap, Jurusan Teknik Mesin</b><br>Jl. Dr. Soetomo, No. 01, Sidakaya, Cilacap, 53212<br>Telp : 0282-533329, E-mail : tmgnc@politeknikcilacap.ac.id |             |      |      |      |      |      |               | Format   | Satuan       |            |       |
|   |             |      |      |      |      |      |               | A4       | mm           |            |       |

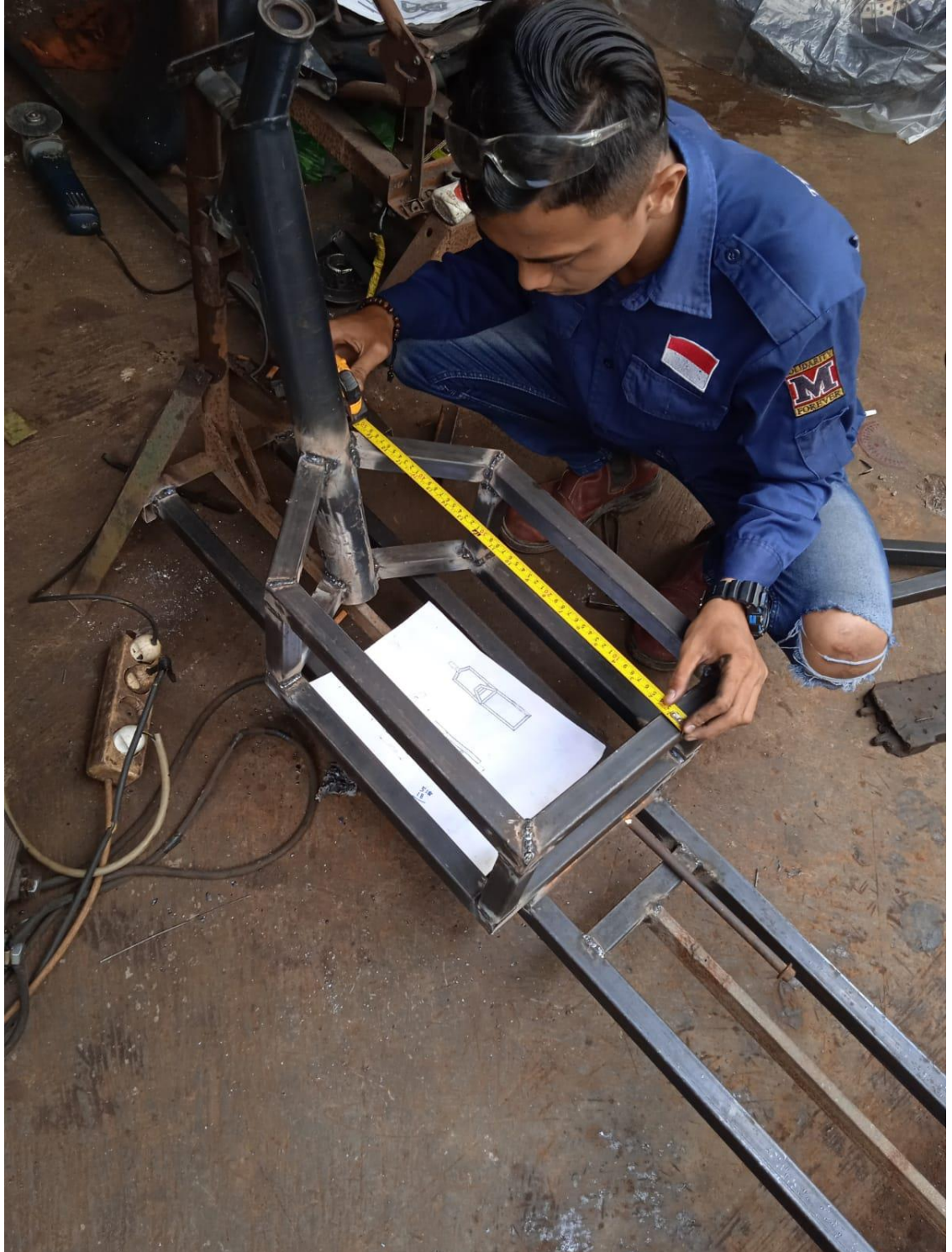
## LAMPIRAN 2

### Dokumentasi

#### 1. Proses pemotongan pipa besi



## 2. Proses pengukuran pada rangka





### 3. Proses pengelasan pada rangka



4. Proses pengujian *Non Destruction Test* pada rangka



5. Proses pengecatan pada rangka



6. Bentuk jadi sepeda motor listrik



